

RESILIENT



POWER

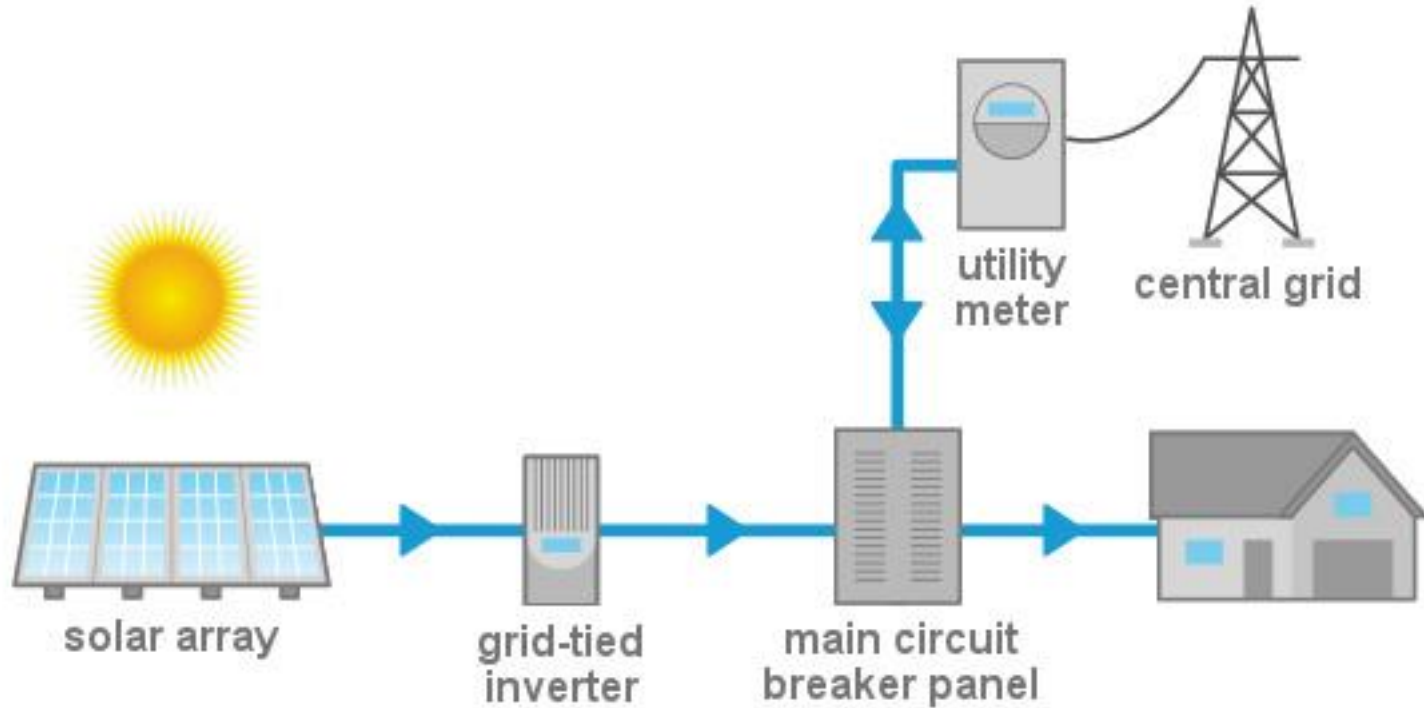
A Project of **Clean Energy Group**

Solar + Storage for Resilient Power

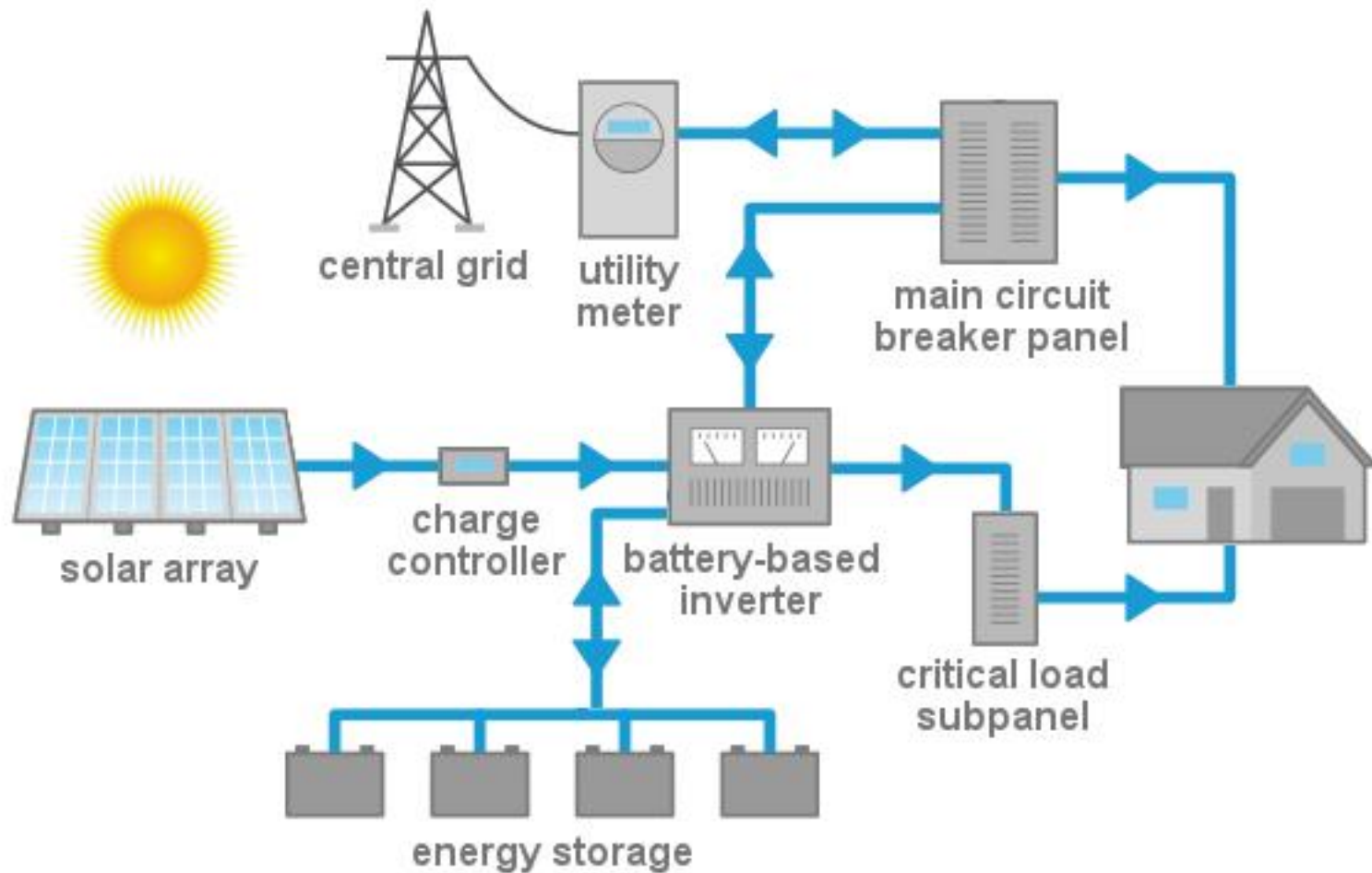
July 15, 2015

Seth Mullendore
Project Manager
Clean Energy Group

Solar Only



Resilient Solar + Storage (DC)



Resilient Power?

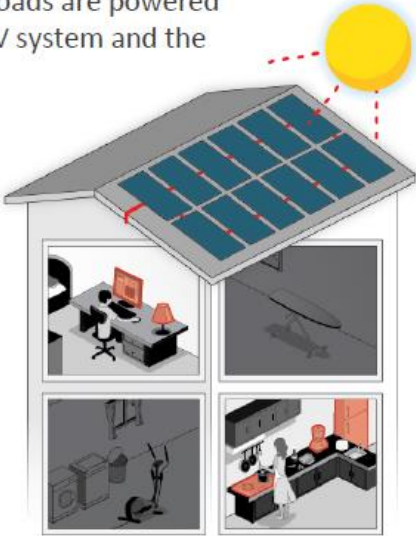
Grid is on

Charge battery from solar power

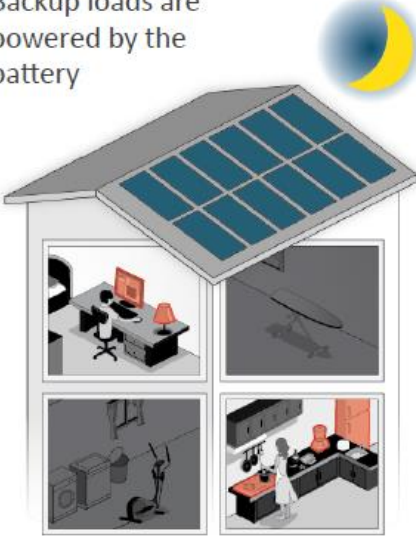


No Grid Electricity

Backup loads are powered by the PV system and the battery



Backup loads are powered by the battery



Source: SolarEdge

Solar + Storage Resilient Power Projects





Seth Mullendore
Project Manager

Clean Energy Group
Email: seth@cleanegroup.org
Phone: (802) 223-2554

www.cleanegroup.org
www.cesa.org
www.resilient-power.org